

# 4" TFT LCD COLOR MONITOR USER MANUAL



LCD-410



LCD-411

## MANUAL ADDENDUM



This equipment contains electrical or electronic components that must be recycled properly to comply with Directive 2002/96/EC of the European Union regarding disposing of electrical and electronic equipment. Contact your local dealer for procedures for recycling their equipment.

**TOTE  
VISION**

1319 Dexter Ave. N. Ste. 020  
Seattle, WA 98109 [www.totevision.com](http://www.totevision.com)  
Tel: 206-623-6000 Fax: 206-623-6609

Thank you for purchasing ToteVision products. Please carefully read this manual before attempting to operate your LCD-410 or LCD-411 monitor.

## 1. PRECAUTIONS

- This unit has been designed to assure your personal safety; however, improper use may cause electrical shock and fire hazard.
- For safety do not watch or operate the monitor while driving.
- Do not use this monitor near water such as a bathtub, kitchen sink, in a wet basement, or a swimming pool.
- If liquid has been spilled into the monitor, unplug the monitor from the DC jack or battery case and refer to qualified service personnel for repair.
- Do not open the monitor. There are no user serviceable components inside.
- Do not expose to extreme hot or cold temperatures (in a closed car, beside stove, etc.)

(Storage temp. range (-30°C ~80°C) (-22°C ~176°F)

(Operating temp. range : (-25°C ~ 60°C) (-13°C ~ 108°F)

– When using a DC car cord, always turn the power switch off before starting or stopping the vehicle.

## 2. PACKAGE CONTENTS

- a. 4" TFT LCD COLOR MONITOR
- b. AUDIO-VIDEO INPUT CABLE (LCD-410 only)
- c. AUDIO-VIDEO OUTPUT CABLE (LCD-410 only)
- d. BATTERY CASE

### 3. POWER OPTIONS

For use in a car, make sure to use center positive (+) (negative ground) DC 12V Cigarette Jack. For use in a house, make sure to use an approved AC adaptor (12 VDC, 380mA) (ToteVision part # AC-1000).

For use with the battery case, please select switch inside battery case for type of battery to be used.

- DRY Cells (8 AA cells)
- Ni-mH BATTERY (9 AA cells)

### 4. MONITOR USE

- a. Make sure your video source such as CCD CAMERA, VTR, etc. power is ON.
- b. Connect your video source to Video IN jack.
- c. Turn the power switch ON.
- d. Set the VOLUME Control level (for model LCD-410 only).
- e. Adjust screen controls—BRIGHTNESS, SHARPNESS, COLOR.

### 5. CLEANING INSTRUCTIONS

Turn off the monitor before cleaning the LCD screen.

Use a slightly damp (not wet) cloth.

Do not use an aerosol spray directly on the LCD screen because over-spray may cause electrical shock.

## 6. TROUBLE SHOOTING

Be sure that all cords are properly connected.

Condition	Possible cause
No Video	No power connection No connection from video source to A/V or BNC jack
Dim Video	Inadequate or weak power supply Brightness control setting needs adjustment Color control needs adjustment
No Audio (for LCD-410 only)	No power connection Check audio source Check volume control

## 7. SPECIFICATIONS

Model Name : 4" TFT LCD COLOR MONITOR

Screen Size : 4 inch

Display Resolution [Dots] : 480 [W] x 234 [H]

Display : TFT Active Matrix      Back Light : LED

Brightness : 250 Cd/m<sup>2</sup>

Input Signal : NTSC/PAL Auto Recognition

External Power : DC 12V(Center Positive, Negative Ground)

Internal Power : Alkaline or Rechargeable Selectable

A/V INPUT : 3.5mm STEREO (LCD-410), Video INPUT : BNC (LCD-411)

Audio OUTPUT : 3.5mm MONO (LCD-410), Speaker : 28 PH1

VIDEO OUTPUT : 3.5mm MONO (LCD-410), BNC (LCD-411)

Power Consumption : 3.5W/ 290mA, 12V

Power DC 12V (Center Positive), Battery

Dimensions : 146 x 42 x 107mm (Without Battery Case)

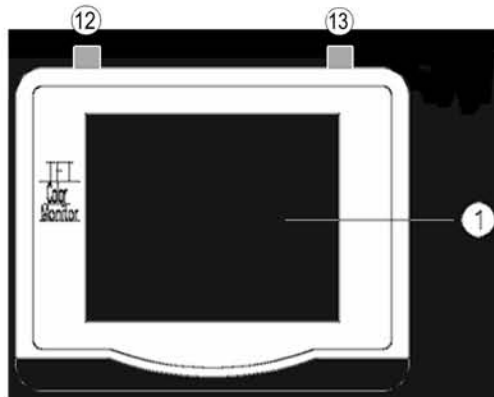
Weight : 300g

Design and specifications may be changed without notice.

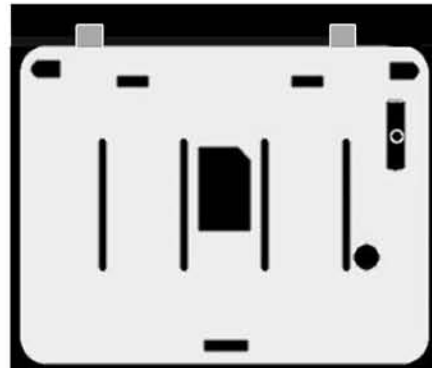
## 8. FUNCTION CONTROLS AND LOCATION

### (1) Front View

- ① LCD Screen

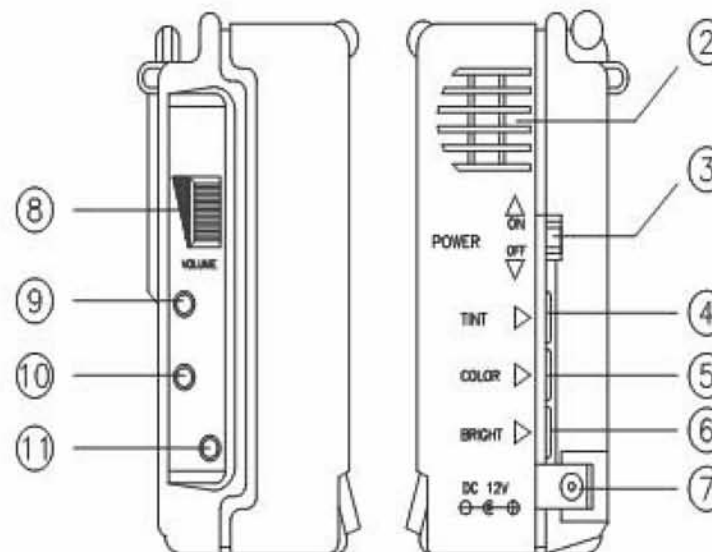


### (2) Rear View



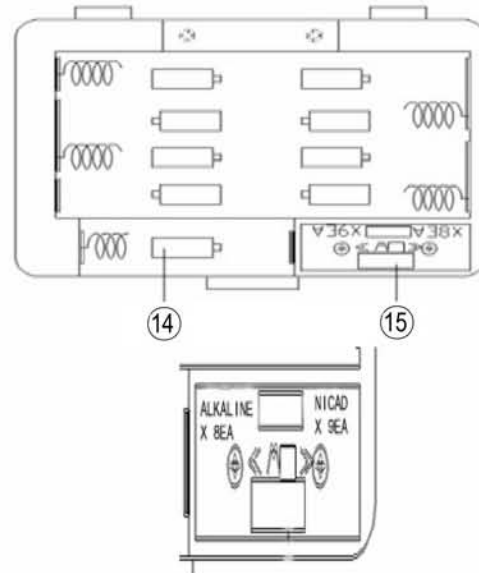
### (3) Side View

- ② Speaker(LCD-410 only)
- ③ Power Switch
- ④ Tint Control
- ⑤ Color Control
- ⑥ Brightness Control
- ⑦ DC 12V (Center Positive Jack)
- ⑧ Sound Volume(LCD-410 only)
- ⑨ Audio Out (LCD-410 only)
- ⑩ Video Out (LCD-410 only)
- ⑪ A/V In (LCD-410 only)
- ⑫ BNC video IN jack (LCD-411 only)
- ⑬ BNC video OUT jack (LCD-411 only)



#### (4) Battery Case

- ⑭ Battery Select Switch
- ⑮ Battery slot  
for Ni-mH use only



#### 9. OPTIONAL ACCESSORY

Order model TB-410 for custom nylon tote bag with adjustable shoulder strap and built-in sun shield.

**TOTE  
VISION®**

MODEL: LCD-410/411

ToteVision

1319 Dexter Ave N, Suite 020

Seattle WA. 98109

Tel : 206-623-6000

Fax : 206-623-6609

[www.totevision.com](http://www.totevision.com)

Warning: Batteries contain toxic ingredients. Batteries may leak. To avoid serious burn injuries from leaking batteries, never place this monitor on any part of your body.