



SPECIAL FEATURES

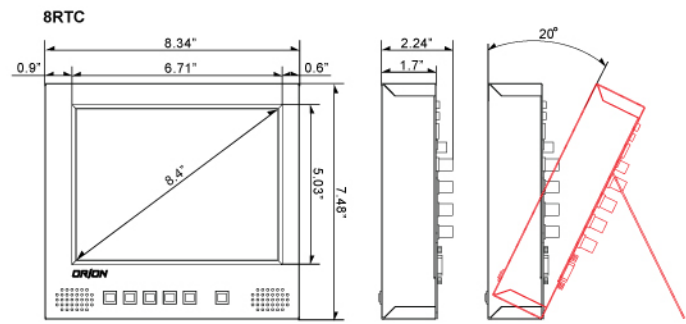
- All Metal Cabinet
- 2D Comb Filter
- Built-In Speakers
- 800 x 600 at 60Hz Maximum Resolution
- BNC Video In 2 / Out 2, S-Video In 1, VGA In 1, PC Stereo 1
- Trigger Sensor Featured
- Wall and Rack Mount Kit Available

SPECIFICATIONS

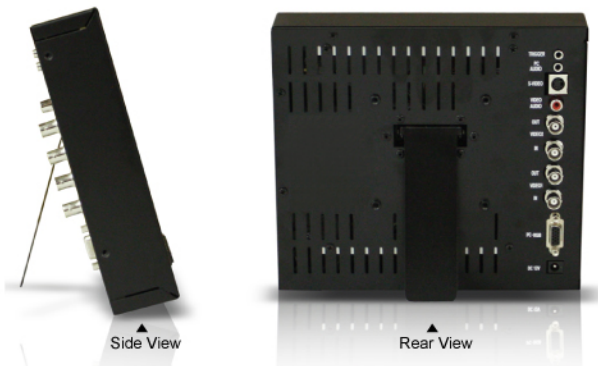
		8RTF
Display	Screen Size	8.4 Inch
	Max. Resolution	800 x 600 @ 60Hz
	Pixel Pitch	0.213 x 0.213mm
	Brightness	220cd/m ²
	Contrast Ratio	800 : 1
	Aspect Ratio	4 : 3
	Viewing Angle (H/V)	150° / 150°
	Display Color	252K Color
	Response Time	< 35ms
	Video System	NTSC / PAL
	Frequency (H)	31~48 KHz(H)
	Frequency (V)	55~75 KHz(V)
Interface	Video In / Out (BNC Type)	2 / 2
	S-Video In / Out	1 / 0
	VGA In (15Pin D-Sub)	1
	Audio In (RCA Type)	1
Audio	PC Stereo In	1
	Built-in Speakers	Yes (2W x 2)
Features	Filter Type	2D Comb Filter
	Trigger Sensor	Yes
	Multi Language	English, Spanish, French
Dimension	Outline Dimension	8.34" W x 7.48" H x 2.24" D
	Net. Weight	1.9Kg (4.4lbs)
Cabinet	Material / Color	Metal / Black
	Base Stand	Folding Leg
Warranty	Part/Labor	1year / 1year
	MTBF (Approx.)	20,000 Hours
Regulations		RoHS, TUV-NRTL (optional), CB, FCC (A), CE-Emc (LVD)
Power	Consumption: < On	< 20W
	Electrical Ratings	AC100 ~ 240V(50/60Hz) DC12V / 1.5A
Circumstance	Operating Temperature	10 ~ 40 C° / 50 ~ 104 F°
	VESA Mount Size	75 x 75mm (BS M4 x 10mm Screw)
Mounts	Wall	WB-5, WB-10, WB-30, WB-31
	Ceiling	CMK-01
	Rack	RMK-08

*Design and Specs are subject to change without any notice

DIMENSIONS



OTHER VIEW



MOUNTING BRACKET



Optional RMK-08 for Rack Mount w/ Two 8RTF