



SPECIAL FEATURES

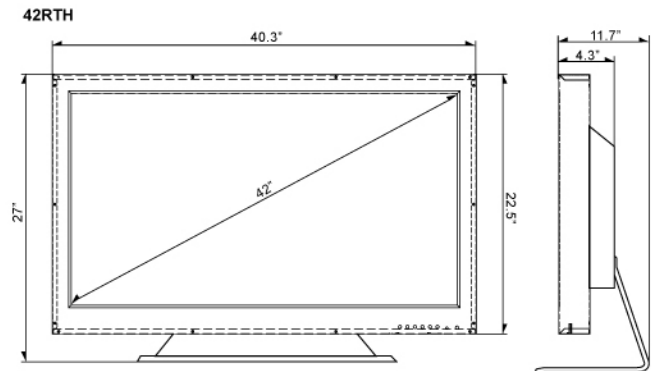
- Metal Case
- PIP / PBP Multi Display Function
- 2 x BNC In / Out, 1 x S-Video In / Out, 1 x VGA In, 1 x Component, 1 x DVI-D In / HDMI In, 3 (L + R) Audio In, 1 x PC Stereo In
- 3D Comb Filter / Deinterlace
- 4W x 2 Built-In Speakers
- Trigger Sensor
- Multi-Language Support
- Optional Wall and Ceiling Mount Kit

SPECIFICATIONS

		42RTH
Display	Screen Size	42 Inch (Full HD)
	Max. Resolution	1920 x 1080 @ 60Hz
	Pixel Pitch	0.484 x 0.484mm
	Brightness	550cd/m ²
	Contrast Ratio	1000 : 1
	Aspect Ratio	16 : 9
	Viewing Angle (H/V)	178° / 178°
	Display Color	16.7 Million
	Response Time	< 8ms (G to G)
	Video System	NTSC / PAL
	Frequency (H)	30~80 KHz(H)
Frequency (V)	56~75 KHz(V)	
Interface	Video In / Out (BNC Type)	2 / 2
	S-Video In / Out	1 / 1
	VGA In (15Pin D-Sub)	1
	Component	1
	DVI-D In / HDMI In	1 / 1
	Audio In (RCA Type)	3 (L+R)
	PC Stereo In	1
Transmitter	Remote Control	Yes
Audio	Built-in Speakers	Yes (4W x 2)
Features	Multiple Display Function	PIP / PBP
	Filter Type	3D Comb Filter / Deinterlace
	Trigger Sensor	Yes (NO / NC)
	LCD Protection Glass	N/A
	Multi Language	English, Spanish, French, German, Italian
Dimension	Outline Dimension (with Stand)	40.3" W x 27" H x 11.7" D
	Outline Dimension (without Stand)	40.3" W x 27" H x 4.3" D
	Net. Weight (with Stand)	33.9Kg (74.9lbs)
	Net. Weight (without Stand)	25.9Kg (57.3lbs)
Cabinet	Material / Color	Metal / Black
	Base Stand	Tilt Stand
Warranty	Part/Labor	1year / 1year
	MTBF (Approx.)	50,000 Hours
Regulations		RoHS, TUV-NRTL (optional), CB, FCC (A), CE-Emc (LVD)
Power	Consumption: < On	< 230W
	Electrical Ratings	AC100 ~ 240V(50/60Hz)
Circumstance	Operating Temperature	10 ~ 40°C / 50 ~ 104°F
	VESA Mount Size	400 x 200mm (BS M8 x 16mm Screw)
Mounts	Wall	WB-72
	Ceiling	CMH-01

*Design and Specs are subject to change without any notice

DIMENSIONS

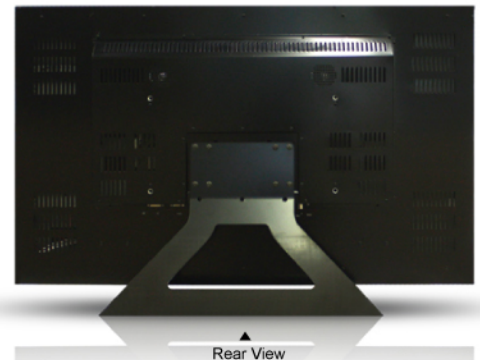


OTHER VIEW



Side View

Quarter View



Rear View