

Public View Display w/ WDR Built in Camera

SPECIAL FEATURES

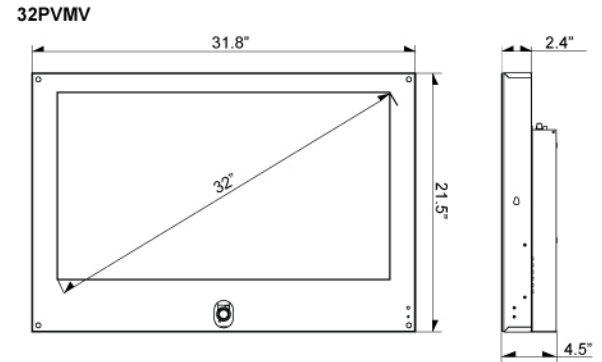
- Built-In 1/3 inch SONY CCD Camera
- PIP / PBP Multi Display Function
- All Front Acrylic LCD Protective Shield
- 3D Comb Filter / Deinterlace
- 1 x DVI-D In / 1 x HDMI In
- 540 TV Line Horizontal Resolution
- 0.1 Lux (Normal Mode) / 0.001 Lux (DSS Mode)
- Optional Mounts: Wall or Ceiling Mount Kits
- Optional Media Card Reader

SPECIFICATIONS

		32PVMV
Display	Screen Size	32 Inch
	Max. Resolution	1366 x 768 @ 60Hz
	Pixel Pitch	0.51 x 0.51mm
	Brightness	500cd/m ²
	Contrast Ratio	1200 : 1
	Aspect Ratio	16 : 9
	Viewing Angle	178° / 178°
	Display Color	16.7 Million
	Response Time	< 8ms
	Video System	NTSC / PAL
	Frequency (H)	30~64 KHz(H)
Frequency (V)	56~75 KHz(V)	
Interface	Video In / Out (BNC Type)	2 / 3
	S-Video In / Out	1 / 1
	VGA In (15Pin D-Sub)	1
	DVI-D In / HDMI In	1 / 1
	Audio In (RCA Type)	3
	PC Stereo In / Out	1 / 1
	Camera Out	1
Transmitter	Remote Control	Yes
Audio	Built-in Speakers	Yes (4W x 2)
	Filter Type	3D Comb Filter / Deinterlace
Features	Multi Display Function	PIP / PBP
	LCD Protection	All Front Acrylic Shield
	Multi Language	English, Spanish, French, German, Italian
	Mechanical Design	Tilt Swivel Camera
Dimension	Motion Sensor	Microwave Motion Sensor (10 ~ 30 feet)
	Outline Dimension (W x H x D)	31.8" x 21.5" x 4.5"
	Net. Weight	21.1Kg (46.5lbs)
Cabinet	Material / Color	Powder Coat Metal / Black
Warranty	Part/Labor	1year / 1year
	MTBF (Approx.)	50,000 Hours
Regulations		RoHS, TUV-NRTL (optional), CB, FCC (A), CE-Emc (LVD)
Power	Consumption: < On	< 150W
	Electrical Ratings	AC100 ~ 240V or DC 24V
Circumstance	Operating Temperature	10° ~ 40° C / 50° ~ 104° F
	Camera Type	WDR Camera
Camera	Signal / Scanning System	525Lines NTSC 625Lines PAL
	Total / Effect Pixels	768(H) x 494(V) 752(H) x 582(V)
	Image Sensor	1/3 Inch SONY CCD
	Resolution	Horizontal: 540TV Lines
	Lens Mount	4~9mm Varifocal Lens (F=1.5)
	Sensitivity	0.1Lux (Normal Mode) / 0.001 Lux (DSS Mode)
	Electronic Shutter	1/60 ~ 1/10,000 Sec. 1/50 ~ 1/10,000 Sec.
Mounts	VESA Mount Size	200 x 200mm (BS M6 x 16mm Screw)
	Wall	WB-30, WB-31 with FMA-01
	Ceiling	CMK-01 with FMA-01
Card Reader	Media Card Reader	Optional

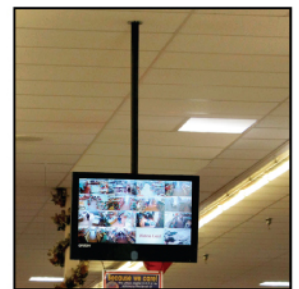
*Design and Specs are subject to change without any notice

DIMENSIONS



WHERE TO USE

PVMV can be used in Restaurant, Grocery Store, Casino, School, Financial Institute, Dealership, Department Store, Convenience Store, Mall, Transportation, Airport, Public Arena, High Technology Store and etc...



PVM installed ceiling mount



Optional Media Card Reader