



SPECIAL FEATURES

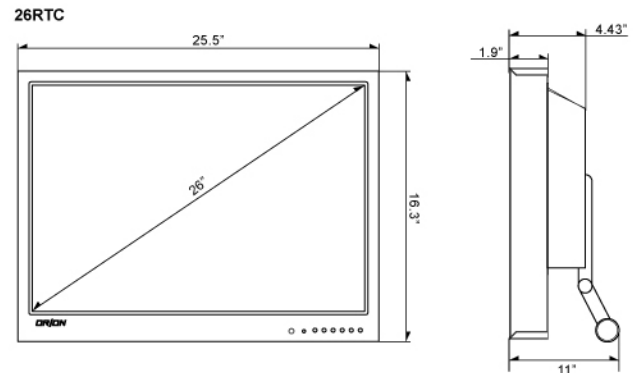
- Metal Case
- LCD Protection Glass
- PIP / PBP Multi Display Function
- 2 x BNC In / Out, 1 x S-Video In / Out, 1 x VGA In, 1 x Component, 1 x DVI-D In / HDMI In, 3 (L + R) Audio In, 1 x PC Stereo In
- 3D Comb Filter / Deinterlace
- 4W x 2 Built-In Speakers
- Trigger Sensor
- Multi-Language Support
- Optional Wall and Ceiling Mount Kit

SPECIFICATIONS

		26RTC
Display	Screen Size	26 Inch
	Max. Resolution	1366 x 768 @ 60Hz
	Pixel Pitch	0.421 x 0.421mm
	Brightness	450cd/m ²
	Contrast Ratio	1500 : 1
	Aspect Ratio	16 : 9
	Viewing Angle (H/V)	178° / 178°
	Display Color	16.7 Million
	Response Time	< 8ms
	Video System	NTSC / PAL
	Frequency (H)	30-64 KHz(H)
Frequency (V)	56-75 KHz(V)	
Interface	Video In / Out (BNC Type)	2 / 2
	S-Video In / Out	1 / 1
	VGA In (15Pin D-Sub)	1
	Component	1
	DVI-D In / HDMI In	1 / 1
	Audio In (RCA Type)	3 (L+R)
	PC Stereo In	1
Transmitter	Remote Control	Yes
Audio	Built-in Speakers	Yes (4W x 2)
Features	Multiple Display Function	PIP / PBP
	Filter Type	3D Comb Filter / Deinterlace
	Trigger Sensor	Yes (NO / NC)
	LCD Protection Glass	Yes
	Multi Language	English, Spanish, French, German, Italian
Dimension	Outline Dimension	16.3" W x 25.5" H x 11" D
	Net. Weight	20Kg (44.1lbs)
Cabinet	Material / Color	Metal / Black
	Base Stand	Folding Leg
Warranty	Part/Labor	1year / 1year
	MTBF (Approx.)	50,000 Hours
Regulations		RoHS, TUV-NRTL (optional), CB, FCC (A), CE-Emc (LVD)
Power	Consumption: < On	< 120W
	Electrical Ratings	AC100 ~ 240V(50/60Hz)
Circumstance	Operating Temperature	10 ~ 40°C / 50 ~ 104°F
Mounts	VESA Mount Size	200 x 200mm (BS M6 x 16mm Screw)
	Wall	WB-30, WB-31 with FMA-01
	Ceiling	CMK-01 with FMA-01

*Design and Specs are subject to change without any notice

DIMENSIONS



OTHER VIEW



Side View

Quarter View



Rear View