



Public View Display w/ WDR Built in Camera

SPECIAL FEATURES

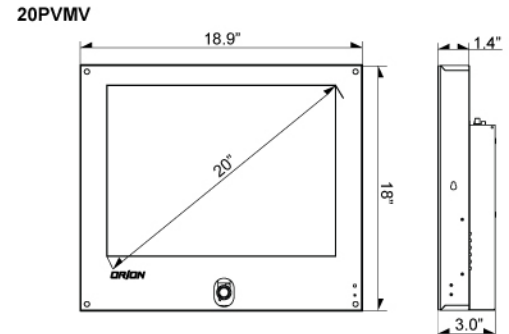
- Built-In 1/3 inch SONY CCD Camera
- All Front Acrylic LCD Protective Shield
- 3D Comb Filter / Deinterlace
- Multiple Source Connectivity
- 540 TV Line Horizontal Resolution
- 0.1 Lux (Normal Mode) / 0.001 Lux (DSS Mode)
- Optional Mounts: Wall or Ceiling Mount Kits
- Optional Media Card Reader

SPECIFICATIONS

		20PVMV
Display	Screen Size	20 Inch
	Max. Resolution	640 x 480 @ 75Hz
	Pixel Pitch	0.6375 x 0.6375mm
	Brightness	450cd/m ²
	Contrast Ratio	400 : 1
	Aspect Ratio	4 : 3
	Viewing Angle	170° / 170°
	Display Color	16.2 Million
	Response Time	< 30ms
	Video System	NTSC / PAL
	Frequency (H)	31~48 KHz(H)
Frequency (V)	56~75 KHz(V)	
Interface	Video In / Out (BNC Type)	1 / 2
	S-Video In / Out	1 / 1
	Audio In (RCA Type)	1
	Camera Out	1
Transmitter	Remote Control	Yes
Audio	Built-in Speakers	Yes (4W x 2)
	Filter Type	3D Comb Filter / Deinterlace
Features	LCD Protection	All Front Acrylic Shield
	Multi Language	English, Spanish, French
	Mechanical Design	Tilt Swivel Camera
	Motion Sensor	Microwave Motion Sensor (10 ~ 30 feet)
Dimension	Outline Dimension (W x H x D)	18.9" x 18" x 3.0"
	Net. Weight	9.2Kg (20.5lbs)
Cabinet	Material / Color	Powder Coat Metal / Black
Warranty	Part/Labor	1year / 1year
	MTBF (Approx.)	50,000 Hours
Regulations		RoHS, TUV-NRTL (optional), CB, FCC (A), CE-Emc (LVD)
Power	Consumption: < On	< 60W
	Electrical Ratings	AC100 ~ 240V or DC 12V or DC 24V
Circumstance	Operating Temperature	10° ~ 40° C / 50° ~ 104° F
	Camera Type	WDR Camera
Camera	Signal / Scanning System	525Lines NTSC 625Lines PAL
	Total / Effect Pixels	768(H) x 494(V) 752(H) x 582(V)
	Image Sensor	1/3 Inch SONY CCD
	Resolution	Horizontal: 540TV Lines
	Lens Mount	4~9mm Varifocal Lens (F=1.5)
	Sensitivity	0.1Lux (Normal Mode) / 0.001 Lux (DSS Mode)
Mounts	Electronic Shutter	1/60 ~ 1/10,000 Sec. 1/50 ~ 1/10,000 Sec.
	VESA Mount Size	100 x 100mm (BS M4 x 10mm Screw)
Card Reader	Wall	WB-05, WB-10, WB-30, WB-31
	Ceiling	CMK-01
	Media Card Reader	Optional

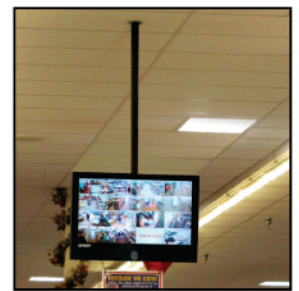
*Design and Specs are subject to change without any notice

DIMENSIONS



WHERE TO USE

PVMV can be used in Restaurant, Grocery Store, Casino, School, Financial Institute, Dealership, Department Store, Convenience Store, Mall, Transportation, Airport, Public Arena, High Technology Store and etc...



PVM installed ceiling mount



Optional Media Card Reader