



## SPECIAL FEATURES

- LCD Protection Glass
- Multi Source
- 5ms Response, 300 NITS, 1000:1
- 3D Comb Filter / Deinterlace
- Built-In Speakers
- Multi-Language Support
- Touch Screen Optional
- Wall and Ceiling Mount

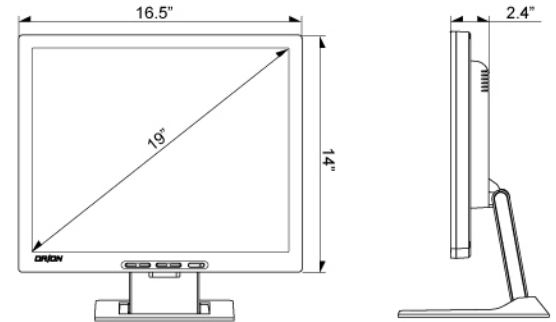
## SPECIFICATIONS

		19RTV
Display	Screen Size	19 Inch
	Max. Resolution	1280 x 1024 @ 60Hz
	Pixel Pitch	0.294 x 0.294mm
	Brightness	300cd/m <sup>2</sup>
	Contrast Ratio	1000 : 1
	Aspect Ratio	5 : 4
	Viewing Angle (H/V)	160° / 160°
	Display Color	16.7 Million
	Response Time	< 5ms
	Video System	NTSC / PAL
	Frequency (H)	31~64 KHz(H)
	Frequency (V)	56~75 KHz(V)
Interface	Video In / Out (BNC Type)	2 / 2
	S-Video In / Out	1 / 1
	VGA In (15Pin D-Sub)	1
	Audio In (RCA Type)	1
Transmitter	Remote Control	Yes
	PC Stereo In	1
Audio	Built-in Speakers	Yes (2W x 2)
	Filter Type	3D Comb Filter / Deinterlace
Features	LCD Protection Glass	Yes
	Multi Language	English, Spanish, French, German, Italian, Dutch
Dimension	Outline Dimension (W x H x D)	16.5" x 14" x 2.41"
	Net. Weight	5.39Kg (11.9lbs)
Cabinet	Color	Black
	Base Stand	Yes
	Tilt Function	Yes
Warranty	Part/Labor	1year / 1year
	MTBF (Approx.)	50,000 Hours
Regulations		RoHS, TUV-NRTL (=UL), CB, FCC (A), CE-Emc (LVD)
	Consumption: < On	< 45W
Power	Electrical Ratings	AC100 ~ 240V(50/60Hz)
		DC12V / 3.8A
Circumstance	Operating Temperature	10 ~ 40° C / 50 ~ 104° F
	VESA Mount Size	100 x 100mm (BS M4 x 10mm Screw)
Mounts	Wall	WB-5, WB-10, WB-30, WB-31
	Ceiling	CMK-01
	Rack	RMK-08

\*Design and Specs are subject to change without any notice

## DIMENSIONS

19RTV



## TILT FUNCTION

