

## SPECIAL FEATURES

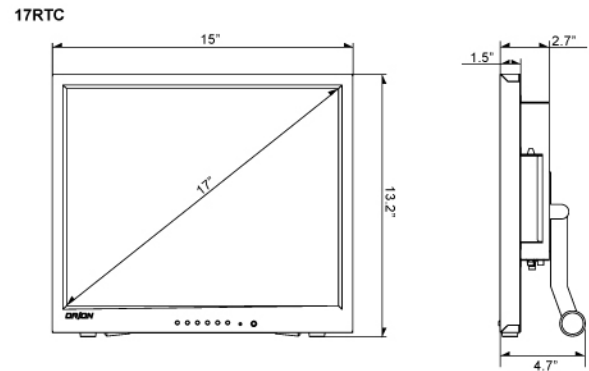
- Metal Case
- LCD Protection Glass
- PIP / PBP Multi Display Function
- 3D Comb Filter / Deinterlace
- Built-In Speakers
- Multi-Language Support
- Wall and Rack Mount Kit

## SPECIFICATIONS

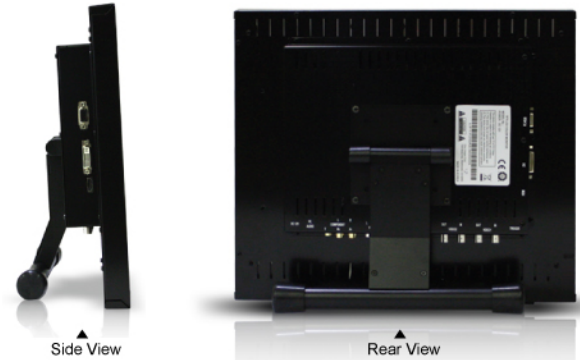
		17RTC
Display	Screen Size	17 Inch
	Max. Resolution	1024 x 1024 @ 75Hz
	Pixel Pitch	0.264 x 0.264mm
	Brightness	300cd/m <sup>2</sup>
	Contrast Ratio	1000 : 1
	Aspect Ratio	5 : 4
	Viewing Angle (H/V)	160° / 160°
	Display Color	16.7 Million
	Response Time	< 5ms
	Video System	NTSC / PAL
	Frequency (H)	50-64 KHz(H)
Frequency (V)	55-75 KHz(V)	
Interface	Video In / Out (BNC Type)	2 / 2
	S-Video In / Out	1 / 1
	VGA In (15Pin D-Sub)	1
	Component	1
	DVI-D In / HDMI In	1 / 1
	Audio In (RCA Type)	3 (L+R)
	PC Stereo In	1
	Transmitter	Remote Control
Audio	Built-in Speakers	Yes (2W x 2)
Features	Multiple Display Function	PIP / PBP
	Filter Type	3D Comb Filter / Deinterlace
	Trigger Sensor	Yes (NO / NC)
	LCD Protection Glass	Yes
Dimension	Multi Language	English, Spanish, French, German, Italian
	Outline Dimension	15" W x 13.2" H x 4.7" D
Cabinet	Net. Weight	5.8Kg (12.8lbs)
	Material / Color	Metal / Black
Warranty	Base Stand	Folding Leg
	Part/Labor	1year / 1year
Regulations	MTBF (Approx.)	50,000 Hours
		TUV-NRTL (=UL), CB, FCC (A), CE-Emc (LVD)
Power	Consumption: < On	< 42W
	Electrical Ratings	AC100 ~ 240V(50/60Hz) DC12V / 3.5A
Circumstance	Operating Temperature	10 ~ 40°C / 50 ~ 104°F
	VESA Mount Size	100 x 100mm (BS M4 x 8mm Screw)
Mounts	Wall	WB-5, WB-10, WB-30, WB-31
	Ceiling	CMK-01
	Rack	RMK-08

\*Design and Specs are subject to change without any notice

## DIMENSIONS



## OTHER VIEW



## MOUNT OPTION

