



SPECIAL FEATURES

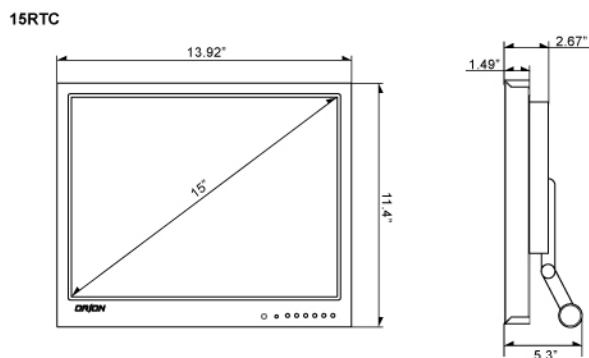
- Metal Case
- LCD Protection Glass
- Multi Source Connectivity
- 3D Comb Filter / Deinterlace
- Built-In Speakers
- Multi-Language Support
- Wall and Rack Mount Kit

SPECIFICATIONS

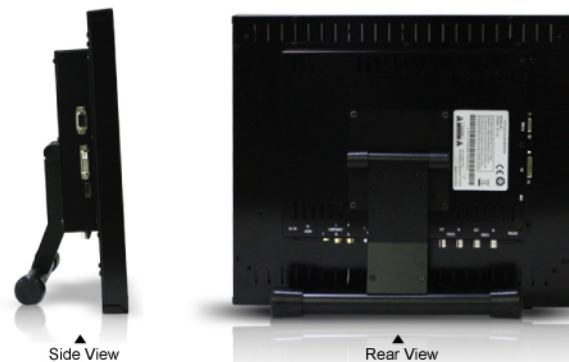
| | | 15RTC |
|--------------|---------------------------|---|
| Display | Screen Size | 15 Inch |
| | Max. Resolution | 1024 x 768 @ 60Hz |
| | Pixel Pitch | 0.297 x 0.297mm |
| | Brightness | 250cd/m ² |
| | Contrast Ratio | 450 : 1 |
| | Aspect Ratio | 4 : 3 |
| | Viewing Angle (H/V) | 130° / 110° |
| | Display Color | 16.2 Million |
| | Response Time | < 12ms |
| | Video System | NTSC / PAL |
| | Frequency (H) | 31~48 KHz(H) |
| | Frequency (V) | 55~75 KHz(V) |
| Interface | Video In / Out (BNC Type) | 2 / 2 |
| | S-Video In / Out | 1 / 1 |
| | VGA In (15Pin D-Sub) | 1 |
| | Audio In (RCA Type) | 1 |
| | PC Stereo In | 1 |
| Transmitter | Remote Control | Yes |
| Audio | Built-in Speakers | Yes (2W x 2) |
| | Filter Type | 3D Comb Filter / Deinterlace |
| Features | Trigger Sensor | Not Available |
| | LCD Protection Glass | Yes |
| | Multi Language | English, Spanish, French, German, Italian |
| Dimension | Outline Dimension | 13.7" W x 11.4" H x 5.3" D |
| | Net. Weight | 4.8Kg (10.58lbs) |
| Cabinet | Material / Color | Metal / Black |
| | Base Stand | Folding Leg |
| Warranty | Part/Labor | 1year / 1year |
| | MTBF (Approx.) | 50,000 Hours |
| Regulations | | TUV-NRTL (=UL), CB, FCC (A), CE-Emc (LVD) |
| Power | Consumption: < On | < 35W |
| | Electrical Ratings | AC100 ~ 240V(50/60Hz) DC12V / 3A |
| Circumstance | Operating Temperature | 10 ~ 40° C / 50 ~ 104° F |
| | VESA Mount Size | 75 x 75mm (BS M4 x 10mm Screw) |
| Mounts | Wall | WB-5, WB-10, WB-30, WB-31 |
| | Ceiling | CMK-01 |
| | Rack | RMK-08 |

*Design and Specs are subject to change without any notice

DIMENSIONS



OTHER VIEW



MOUNT OPTION

